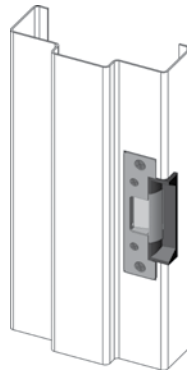




shown with 501A option
and LBM monitor



The **grade 1** solution with **horizontal adjustability**

Specifications

- UL 1034, burglary-resistant listed
- ANSI/BHMA A156.31, Grade 1
- Patented design

Frame Application

- Metal
- Wood

Electrical

- .24 Amps @ 12VDC/VAC
- .12 Amps @ 24VDC/VAC
- DC continuous duty/AC intermittent duty only

Designed with the installer in mind, the 5200 series raises the standard in adaptability for electric strikes. Its innovative approach to in-frame horizontal adjustability makes the 5200 electric strike the perfect fit for multiple applications. The field selectable fail secure / fail safe unit is easy to install and accommodates 5/8" to 3/4" latchbolts.

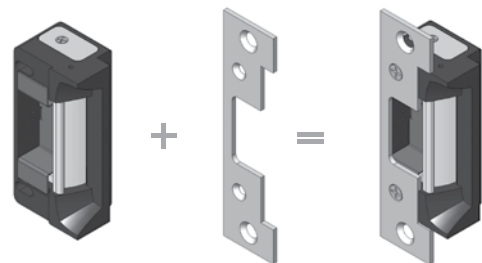


CYLINDRICAL
LOCKSETS



SPECIALTY

SPECIALTY
LOCKSETS



We offer several types of faceplate options to accommodate your application. Faceplate options sold separately (see pages 18-19).

Standard Features

- Tamper resistant
- Static strength 1,500 lbs.
- Dynamic strength 70 ft-lbs.
- Endurance 500,000 cycles
- Field selectable fail secure/ fail safe
- Dual voltage 12 or 24 VDC/VAC
- In-frame horizontal adjustment
- Non-handed
- Internally mounted solenoid
- Accommodates 5/8" - 3/4" latchbolt (3/4" with 1/8" door gap)
- Strike body depth 1-3/16"
- Plug-in connector
- Trim enhancer included
- Five-year limited warranty

Optional Features

- LBM - Latchbolt monitor
- LBSM - Latchbolt strike monitor

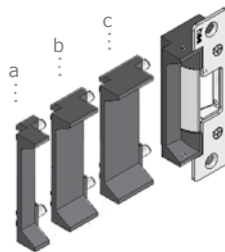


Accessories

- 5200-500** - Filler block for retro-fit applications
- 150** - Strike latch guard
- 154-MTK** - Metal template kit
- 2001M** - Plug-in bridge rectifier
- 2004M** - ElectroLynx® adapter
- 2005M3** - SMART Pac III™
- 2006M** - Plug-in buzzer
- 5204-1/2** - 1/2" stackable lip extension
- 5204-1** - 1" stackable lip extension
- 5204-1-1/4** - 1-1/4" stackable lip extension

Faceplate Finishes

- 630** - Satin stainless steel
 - 605** - Bright brass
 - 606** - Satin brass
 - 612** - Satin bronze
 - 613** - Bronze toned
 - 629** - Bright stainless steel
 - BLK** - Black finish
- "press fit" stackable lip extensions*



- a: 5204-1/2: 1/2" stackable lip extension*
- b: 5204-1: 1" stackable lip extension*
- c: 5204-1-1/4: 1-1/4" stackable lip extension*

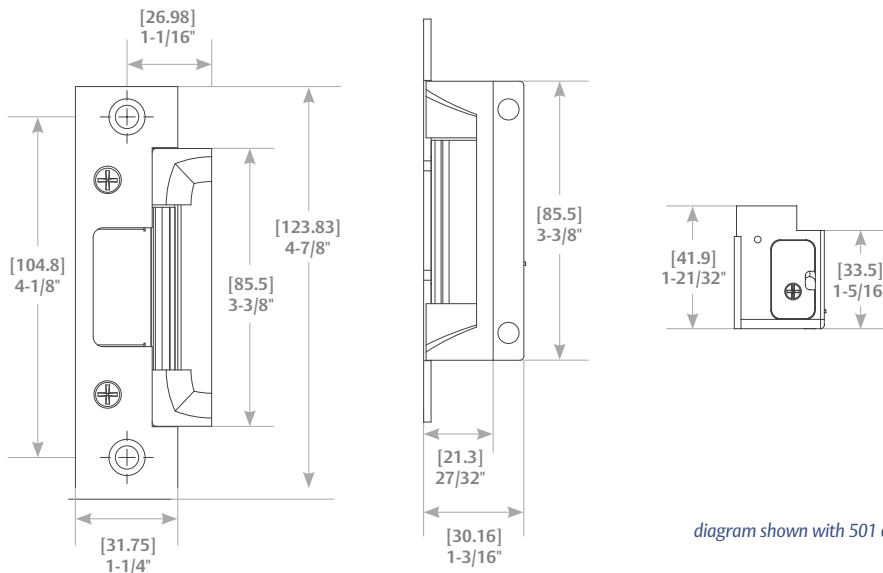
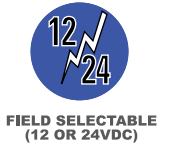


diagram shown with 501 option



5000/5200 Series Faceplate Options



SPECIALTY
LOCKSETS



Operation: After releasing the latchbolt, the keeper returns to the locked position.

type of lock released



4 7/8" x 1 1/4"
square corners
& flat faceplate

501 Option

For use with: Cylindrical locksets in ANSI metal jambs.

» ANSI/BHMA Numbers: #E09321, #E09322, #E09323



4 7/8" x 1 1/4"
radius corners
& flat faceplate

501A Option

For use with: Cylindrical locksets. Includes universal mounting tabs. Aluminum frames.

» ANSI/BHMA Numbers: #E09321, #E09322, #E09323



7 15/16" x 1 7/16"
radius corners
& flat faceplate

502 Option

For use with: Cylindrical locksets. Includes universal mounting tabs. Aluminum frames.

» ANSI/BHMA Numbers: #E09321, #E09322, #E09323



6 7/8" x 1 1/4"
radius corners
& flat faceplate

503 Option

For use with: Cylindrical locksets. Includes universal mounting tabs.

» ANSI/BHMA Numbers: #E09321, #E09322, #E09323



10" x 1 3/8"
radius corners
& flat faceplate

504 Option

For use with: Cylindrical locksets. Four-point mounting for wood installations.

» ANSI/BHMA Numbers: #E09321, #E09322, #E09323



5000/5200
Faceplates